

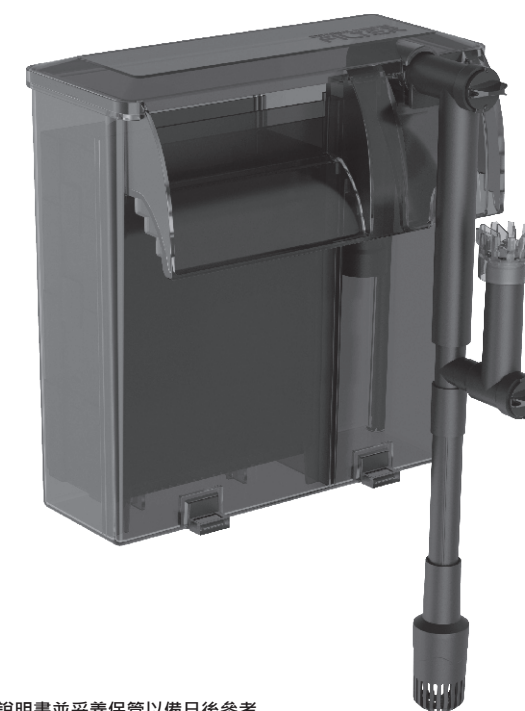
Warranty Card 保固卡

Customer Copy 客戶填寫資料

Customer's Name 用戶名字	Date Purchased 購買日期
Contact Number 連絡電話	Address 聯繫地址
Model Type 產品型號	Retailer/Deler Stamp or Name 零售商蓋章

製造日期: 2024.09
有效日期: 在適當環境保存下無有效期限限制
委製商/進口商: 名人水族器材有限公司
住址: 台中市大雅區雅環路三段二巷20號
電話: 04-25667779

POWERFUL HANGING FILTER Instruction Manual 超強力外掛過濾器



使用前請詳細閱讀本說明書並妥善保管以備日後參考
Before operating the appliance, please read completely the operation manual and keep it handy for your reference in future.

前言

感謝您選購MR.AQUA超強力外掛過濾器。為使您能正確、安全地使用本產品，更有效發揮產品的性能，使用前請詳細閱讀本說明書，並妥善保存已備查閱。

產品特性

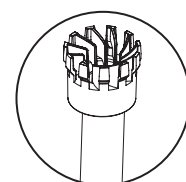
1. 大容量濾材盒，可自行搭配，多層過濾，效果佳。
2. 超靜音運轉，重新啟動免加水。
3. 內含油膜處理器，藉由表面水流吸入油膜去除器，清除油膜。
4. 油膜處理器可上下左右位置調整。
5. 瀑布型水流設計，增加溶氧量，含有流量調節鈕，可依需求調整流量。
6. 內附平衡鈕，方便固定過濾器。

注意事項

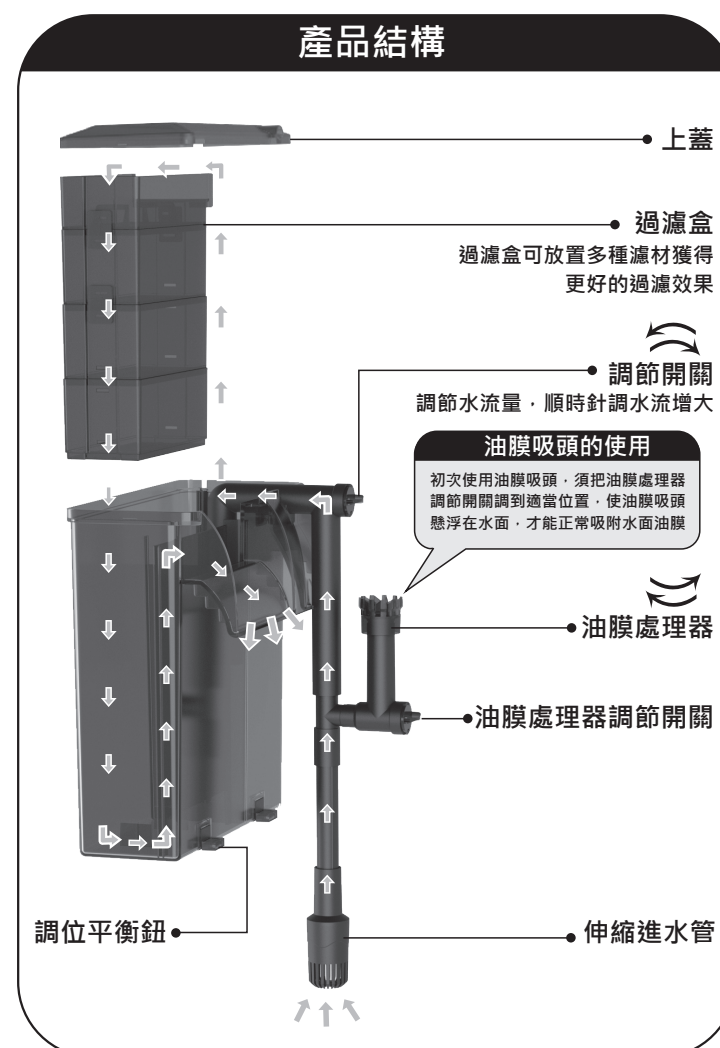
1. 請使用110V電壓。
2. 首次使用請先加滿水後，馬達才能插電運轉。
3. 禁止無水運轉。
4. 如發現電源線有損壞情形，請勿使用。
5. 安裝前和清洗時，請先拔除電源。
6. 請定期清潔，以免影響效能。

油膜處理器

專業油膜處理技術。油膜吸頭設計，充分利用油膜吸頭的浮力調控，使之快速吸收水面油膜。
●整個油膜處理器可手動上下調節



產品結構



PREFACE

Thank you for choosing MR.AQUA Powerful Hanging Filter. To enable you to properly and safely operate this series product more efficiently that can enjoy the high quality performance, please read through this manual carefully and keep it for future reference.

PRODUCT FEATURES

- With large filter box, filter material free collocation.
- Filtration Restart without adding water.
- Processor for oil film, can be adjusted vertically and horizontally.
- Optimal flow is realised by adjustable flow regulating valve.
- Special cascade flow design, improving oxygen dissolving.
- Include leveling device to fix the filter on the tank.

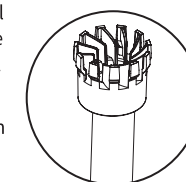
CAUTION

1. The rated voltage, frequency which stated on the water pump nameplate must be checked if they are agree with the actual use voltage, frequency.
2. The power supply wire of the pump must not be replaced, when there's any damage to the power supply wire found in using, do not continue to use.
3. Remember to power off before installing, disassembly and cleaning.
4. Do not wet the plug, do not touch the plug with damp hands.
5. Please add water to this filter in the first time use to start the water pump.
6. Regularly clean the suction head, to insure normal working effect.

SUPERFICIAL FILM PROCESSOR

Professional film processing technology. Unique design of oil suction head, insures efficient absorption of the oil on the water surface by full play of the buoyancy control of the oil film suction head.

- The oil film processor can be manually adjusted up and down or clockwise, counterclockwise



每折成品规格: 115x160mm